



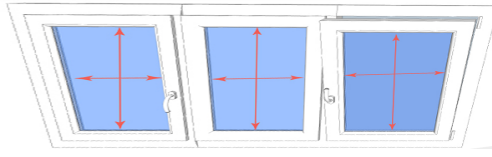
# Measurement Guide(Tensioned)- INTU<sup>®</sup>, Perfect Fit<sup>®</sup> & Pleatlux Systems

## Flush or Recessed Rubber Bead

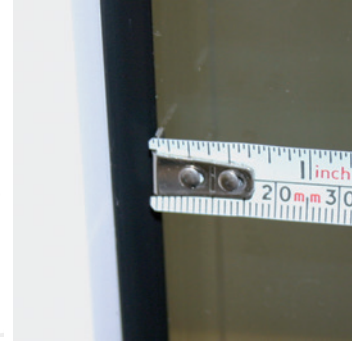


## MEASURE VISIBLE GLASS SIZE - WIDTH & DROP

MINIMUM AND MAXIMUM PRODUCTION SIZES ARE SHOWN ON INDIVIDUAL PRODUCT SPECS.



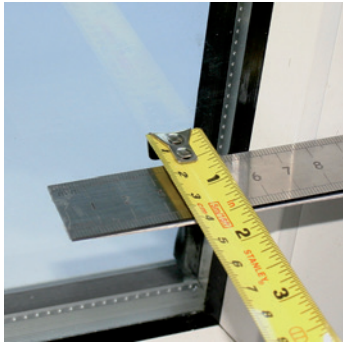
## Proud Rubber Bead



measuring the window

A

## MEASURE THE BEAD DEPTH - WINDOW FRAME FACE TO GLASS



Ensure windows have suitable rubber bead that accepts fitting of bracket

	MIN	MAX
<b>Intu Beadfit</b>	11mm	27mm
<b>Intu Screwfit</b>	11mm	35mm
<b>Perfect Fit</b>	16mm	30mm
<b>Pleatlux</b>	8mm	NO MAX

bead depth

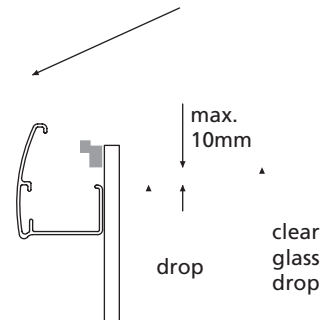
B



## Air Vents

When headrail may foul air vent or other obstruction, a deduction of up to 10mm can be made from the clear glass drop to clear obstruction

See diagram opposite



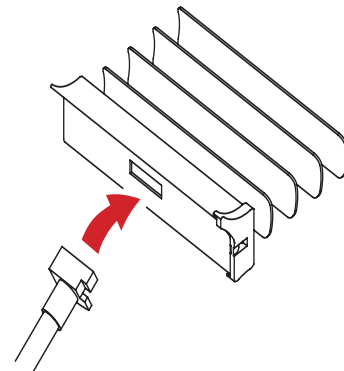
air vents

C



## Blind Out of Reach? — INTU VENETIAN MODELS

- choose 30 or 60cm rod as required
- the rod connector is placed inside the tilt handle (Venetian only)
- bottom rail is slotted for raising/lowering



operating rod

D

Following the above instructions will ensure that the blind is correctly measured, installed and fully functioning.

THESE PRODUCTS ARE ALL CHILD SAFE BY DESIGN AND COMPLIANT WITH THE CHILD SAFETY REQUIREMENTS OF EN13120

If you require further advice or more information on INTU<sup>®</sup>, PERFECT FIT<sup>®</sup>, PLEATLUX<sup>®</sup> or BLOC<sup>®</sup> blinds please call 01922 496102 or email [info@perfitblinds.co.uk](mailto:info@perfitblinds.co.uk)  
Abbey Blinds, 25-28 Elmore Green Road, Bloxwich, Walsall, West Midlands WS3 2HW